



2006

FORM B

Pilot ID #

Glider Known

Flight #

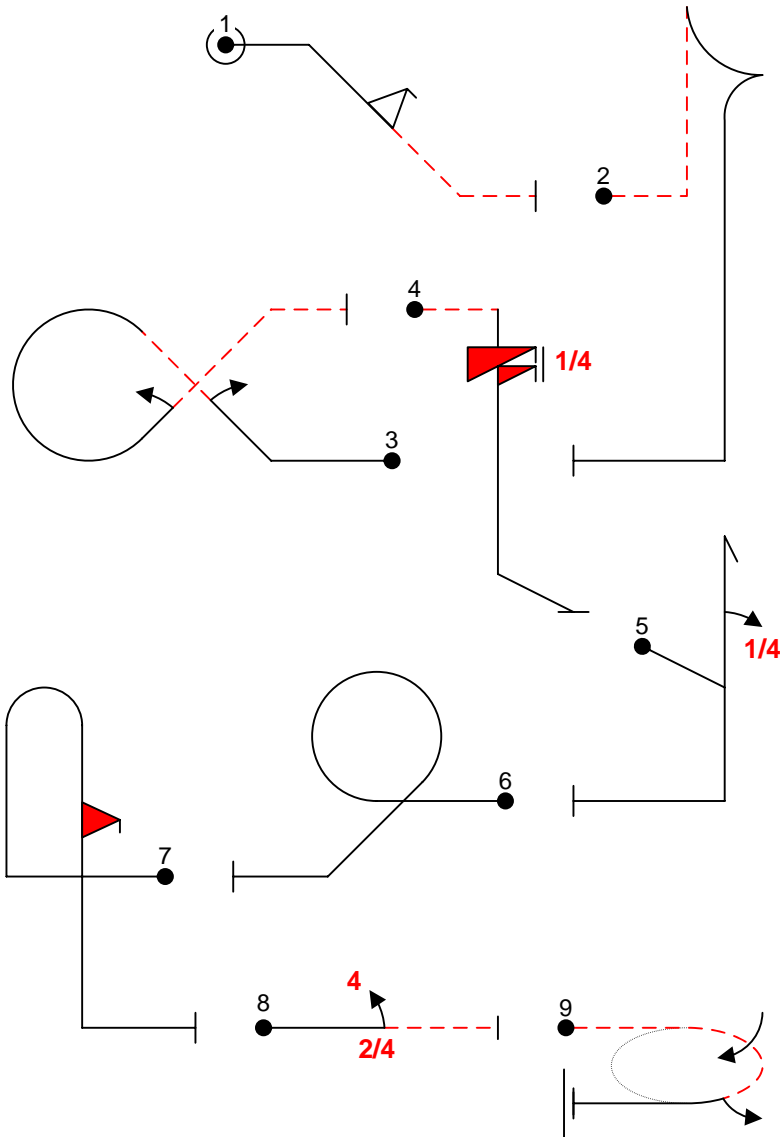
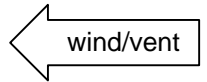


Fig 1	1.3.3 9.9.4.2	8 12	20
Fig 2	6.1.4	17	17
Fig 3	7.22.1 9.1.2.2 9.1.2.2	16 9 9	34
Fig 4	1.7.4 9.12.1.5	9 8	17
Fig 5	5.1.1 9.1.1.1	17 9	26
Fig 6	8.45.1	11	11
Fig 7	8.1.1 9.10.10.2	13 15	28
Fig 8	1.1.3 9.4.3.2	2 8	10
Fig 9	2.19.2	28	28
Total K = 191			